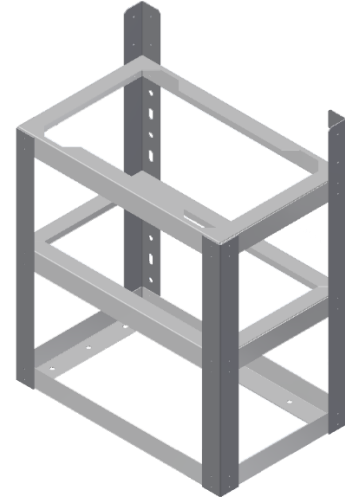
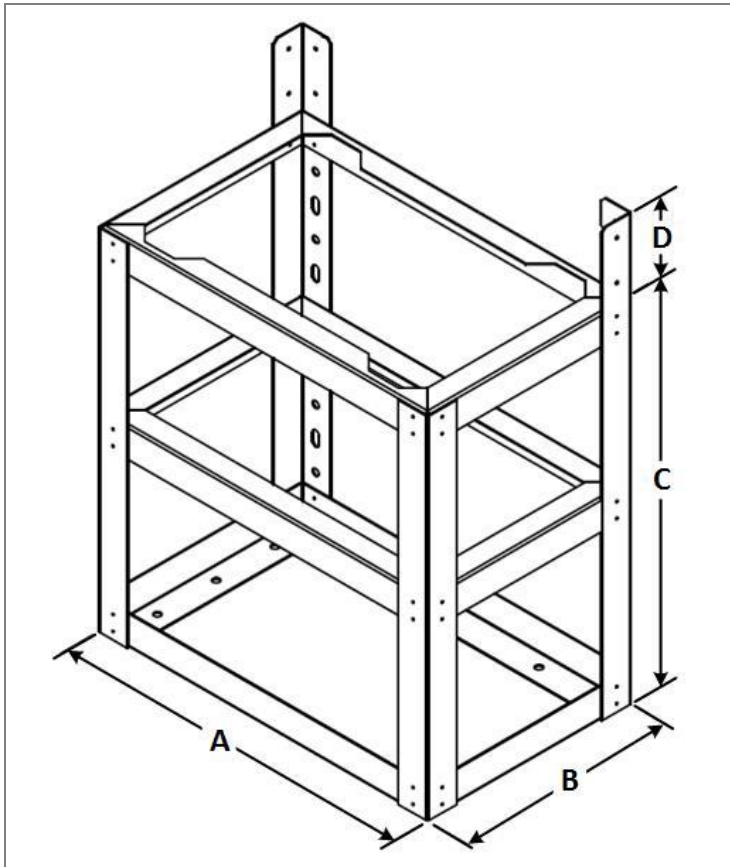


Description

The aluminum SKE4 floor stand is designed to support the weight of the humidifier cabinet and can be mounted to the floor and/or wall, in order to secure the humidifier in place.



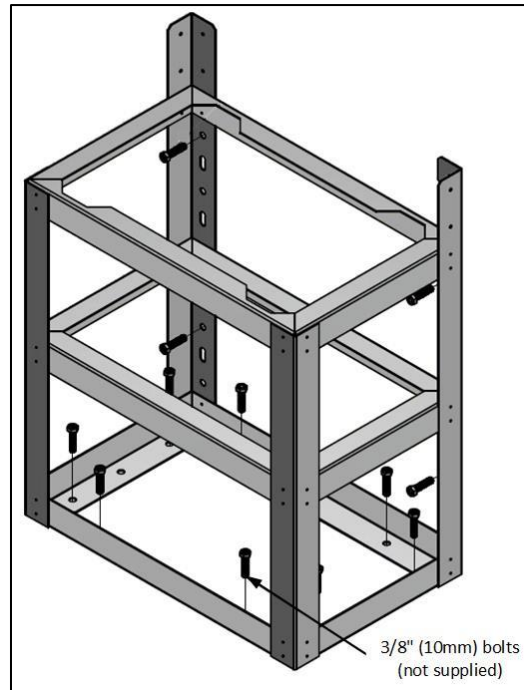
Dimensions



Dimensions (inch) [mm]				
Model	A	B	C	D
SKE4-N02 to N06 [SKE4-E05]	19.6 [497]	12.7 [324]	24 [610]	5 [127]
SKE4-N10 to N30 [SKE4-E10 to E40]	22.4 [570]	13.9 [353]	24 [610]	5 [127]
SKE4-N20L to N60 [SKE4-E50 to E80]	33.4 [849]	13.9 [353]	24 [610]	5 [127]

Installation Steps

1. Fix the stand to the floor and/or wall using 3/8" (10mm) bolts and washers (not supplied). It is recommended that a minimum of 4 bolts and washers are used in order to secure the stand to either the floor or wall. When securing the stand to both the floor and the wall, a minimum of 8 bolts and washers must be used.



2. Mount the humidifier cabinet onto the stand and secure it using 8x 5/8" (16mm) self-tapping screws (supplied).

